



CH300

Timer Car Heater with Built-in Battery

FEATURES

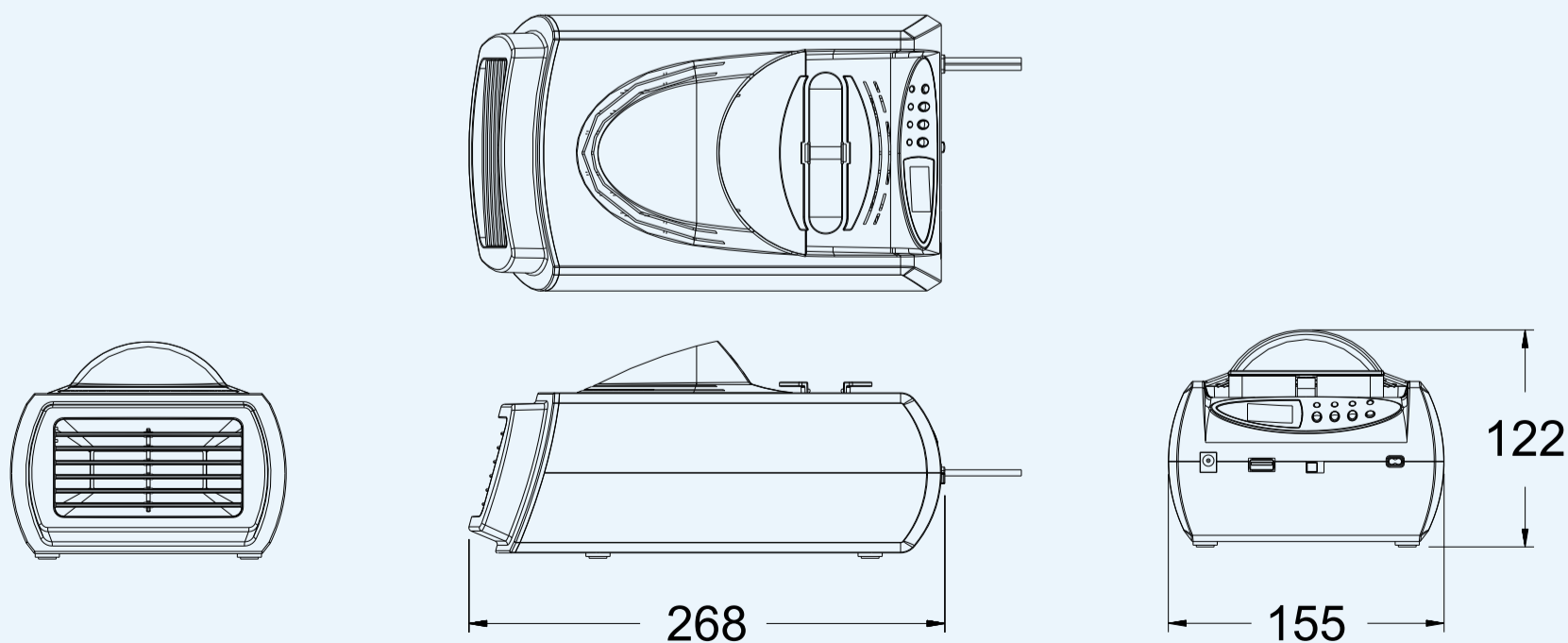
Standard Features :

- 100W Heater Fan
- Outlet lever for heat blowing direction adjustment
- Digital timer for automatic ON/OFF control
- Build-in rechargeable 7Ah lead acid battery
Unit recharge time from empty power: 3 hours
Unit working time from full power: 50 min
- Cigarette lighter plug for drawing power from the car for recharging the unit and for real time in car usage.
- 12V AC/DC power adaptor for home recharging the unit
- Cable management Compartment
- 5V USB Outlet
- LCD panel backlight for dark environment usage
- Digital car battery voltage tester

Packaging information			
Gift Box Size:	365x190x145mm		
Outer Carton:	590x380x165mm		
QTN/CTN:	2PCS		
N.W.:	10KGS	G.W.:	11.6KGS
20" Container	1584PCS		
40" Container	3174PCS		



DIMENSIONS



SPECIFICATIONS ARE SUBJECT TO CHANGE WITHOUT PRIOR NOTICE