



NFC1500

10.0 Amp DC Intelligent Battery Charger

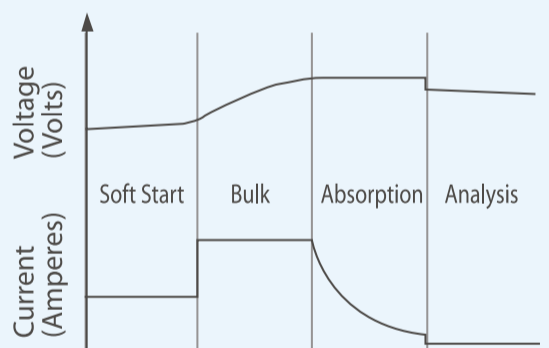
Product Highlights

- . 12 Volt, 10.0Amp DC (15.0Amp RMS) high rate charging
- . 12 Volt, 6.0Amp DC (9.0Amp RMS) normal rate charging
- . 12 Volt, 2.0Amp DC (3.0Amp RMS) Low rate charging
- . Automatically Diagnose, recovers, charges and maintains battery
- . Charges WET/Flooded, GEL, AGM, MF, VRLA, Calcium type Lead Acid Rechargeable Batteries

FEATURES

Standard Features :

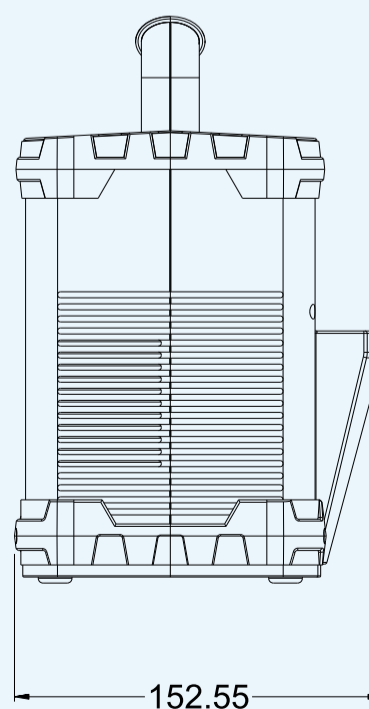
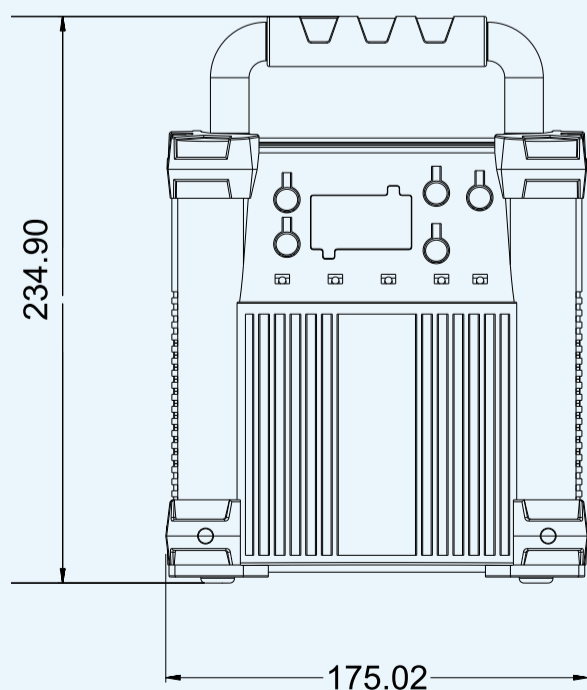
- Spark Proof
- Short Circuit Protection
- Voltage Compensation
- Overheat Protection
- 4 Stages (Soft Start, Bulk, Absorption, Float) Charging Characteristics



Packaging information			
Gift Box Size:	198x178x250mm		
Outer Carton:	614x371x270mm		
QTN/CTN:	6PCS		
N.W.:	8.6kgs	G.W.:	11.4kgs
20" Container	2910pcs		
40" Container	5904pcs		



DIMENSIONS



SPECIFICATIONS ARE SUBJECT TO CHANGE WITHOUT PRIOR NOTICE